

참고 문헌

- [1] R.Jain, "Extraction of information from peripheral process", IEEE Trans. on PAMI, vol. PAMI-3, no.5, pp.489-503, sept., 1981.
- [2] W.B.Thomson, "Combination motion and contrast for segmentation," IEEE Trans on PAMI, vol. PAMI-2, no. 6, pp543-549, nov., 1980.
- [3] GR.Lesters, JR. and T.Y.Young, " A mathematical model for Computer image tracking," IEEE Trans. on PAMI, vol. PAMI-4, no.6, pp.533-544, nov. 1982.
- [4] Byong Won Hwang and Sadas Takorba, " Real Time measuring of pedestrian flow using processing of ITV image," The Trans.IEEE,Japan, vol. J66-B, no.8, pp917-924, Aug., 1983.
- [5] Roger A.Sans and Clanda A.Bozzo, " Moving object recognition using enhanced Hough transform, " Digital Signal Processing 84, by V.Capellini and A.B.contant inides, North-Holland, pp.770-775, 1984.

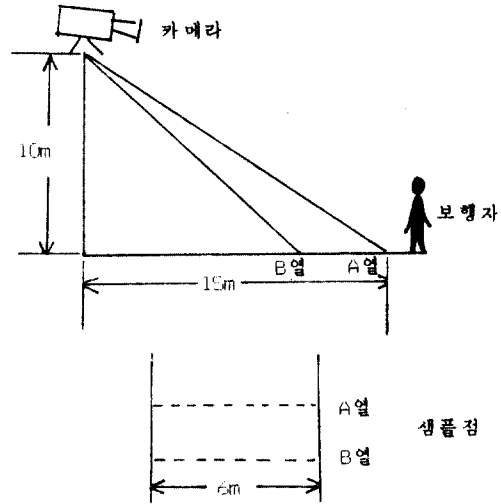


그림 3. 카메라와 샘플점의 위치관계
Fig. 3. The relation between the camera and sample points.

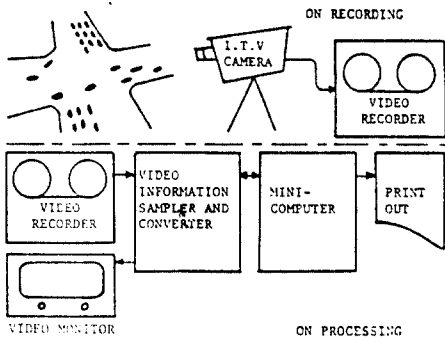


그림 1. 영상정보 시스템의 구성도
Fig. 1. Schematics diagram of the image information system.

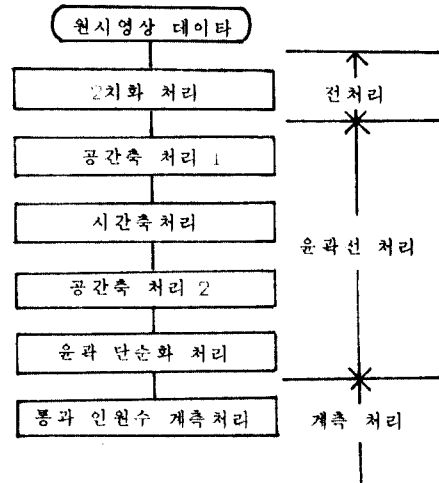


그림 4. 기법의 흐름도
Fig. 4. The flowchart of algorithm.

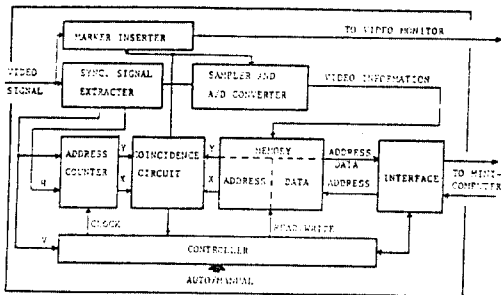


그림 2. VISC 구성도
Fig. 2. Schematics diagram of VISC

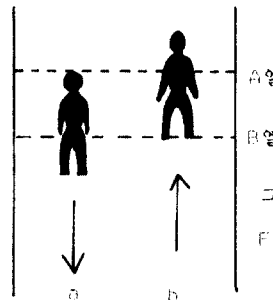


그림 5. 2개의 샘플점열과 보행자의 이동방향
Fig. 5. Two Lines of sampled points and moving direction of pedestrians.